



WorqLite 2.0

Read these instructions fully before using the Floodlight.

Retain these instructions for future reference.

Charge fully before first use.

This box contains

- 1 LED work light including battery
- 1 AC adapter / charger
- 1 12V 1.5A adapter / charger for cars

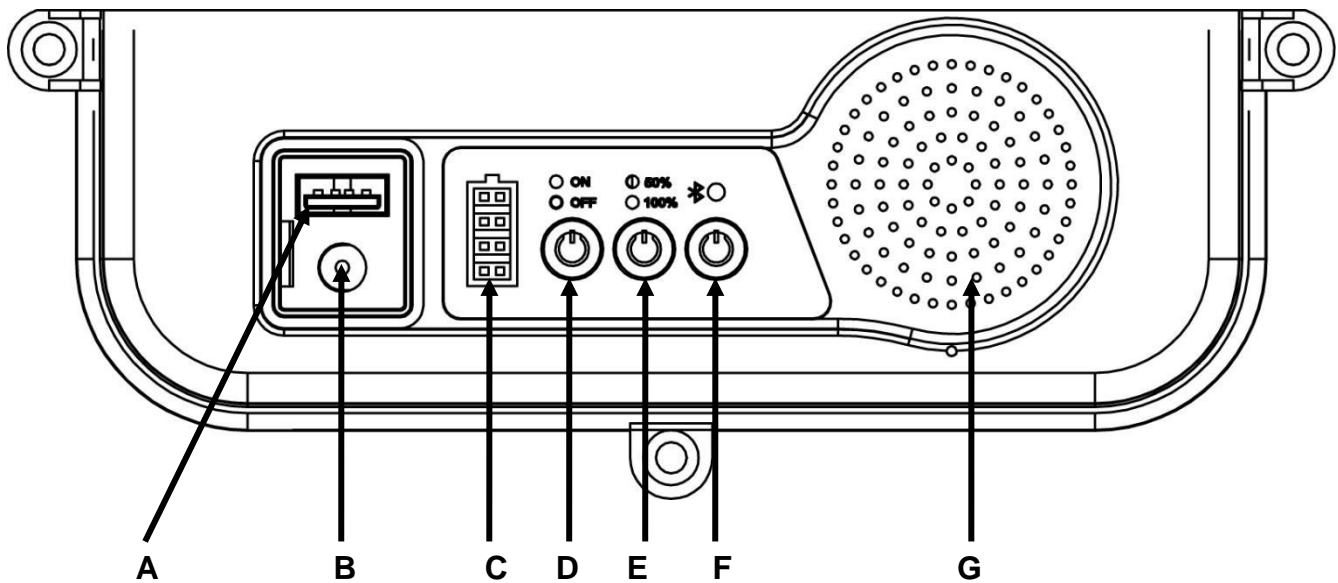
Technical data

1. **Model:** WQL20
2. **Light:** 1600 Lumen, LED Color temperature ~6000- 6500K
3. **Battery:** 7.4V 6600mAh Li-ion
4. **Charging Time:** Approximately 6 hours from empty to full
5. **Operating Time:** Up to 9 hours at 50% brightness
Up to 4½ hours at 100% brightness
Up to 4 hours at 100% brightness with Bluetooth playing
6. **Charger input:** 12V 1.5A
7. **IP54 weather resistant:** Protection against dust
Protection against splashed water from all directions

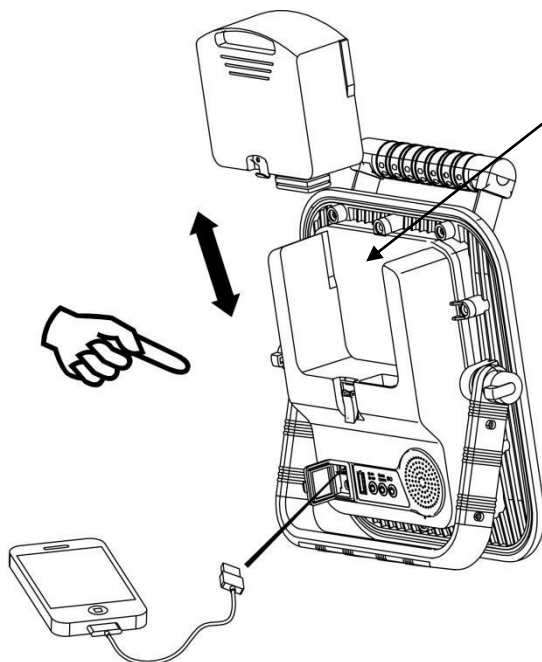
Safety precautions

- Do not use the lamp in the immediate vicinity of inflammable materials or gases.
- Only use the charging accessories included with the unit.
- Do not point the light directly in your own or any other person's eyes.
- Always check the charging cable before plugging in the lamp. Replace the cable if damaged.
- Do not immerse in water.
- Avoid splashing when recharging or when plugged in.

Using the lamp



- A: USB OUTPUT (for charging mobile devices)
- B: DC INPUT (for charging the lamp battery)
- C: Battery indicator
- D: Lamp On/Off button
- E: Brightness toggle button (100% / 50%)
- F: Bluetooth On/Off button
- G: Speaker

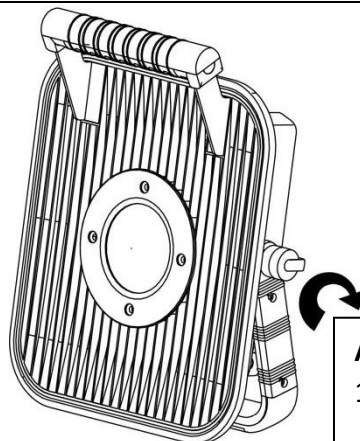


Charging a mobile phone

1. Open the protective rubber seal
2. Connect a USB cable to the 5.0V USB port

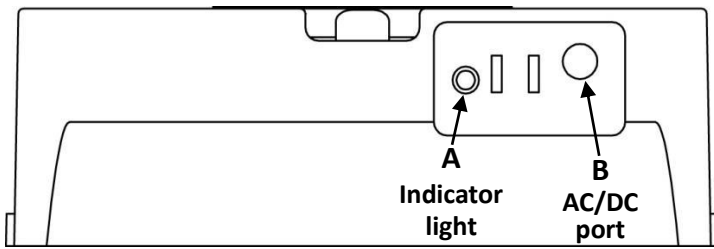
Removing and replacing the battery

1. Unlatch the battery hook
2. Slide the battery up to remove it
3. Slide in the new battery
4. Always secure the battery with the latch



Adjusting the stand angle

1. Loosen the tension bolts on either side of the stand
2. Adjust the stand
3. Tighten the bolts



Charging a battery separately

1. Connect the charging cable to the AC/DC port **B**
2. The indicator light **A** glows red while charging, and green when fully charged

Using the Bluetooth Speaker

1. Press the power button (F) below the Bluetooth symbol.
2. The blue Bluetooth indicator LED will light up, and you will hear “Bluetooth is on.”
3. Set your mobile phone’s Bluetooth settings to Search mode, and locate the device named “Worqlite20.”
4. When connected, you will hear “Bluetooth connected.”
5. You can now play media from your connected device.

Note: When you pair two Bluetooth devices, each device maintains a record of the connection in its memory. Once you pair a device with the lamp, you should not have to pair it again.

Cleaning

- Before cleaning the LED floodlight, disconnect the power cable and allow the floodlight to **cool down**.
- Clean with a dry or slightly moist, clean, lint-free cloth.
- Use a mild detergent if required.
- Do not use cleaners that contain abrasives or solvents.

Maintenance

- Check the power cables and housing of the LED floodlight for damage before each use.
- If the lens is damaged, do not use the light. It must be replaced immediately.
- Clean any dirt from the housing or the lens immediately, since it could cause overheating.
- To ensure a long battery life, the battery should be charged at least every 3 months

Contact information

IDEAL Security Inc.

www.idealinc.com

info@idealinc.com

1-800-361-2236

Lasalle, QC

Prescott, ONT.

Coraopolis, PA.

Limited one-year warranty

All Ideal Security products are warranted to be free of labour and material defects for one year from date of purchase. Defective products can be returned to place of purchase with proof of purchase for replacement or repair. If this product fails to work as warranted, customers’ sole and exclusive remedy shall be repair or replacement according to the terms of this limited warranty. Ideal Security Inc. does not assume any responsibility for incidental or consequential damages. Please call customer service if you should have questions or missing parts at 1-800-361-2236 or visit our web site at www.idealinc.com.