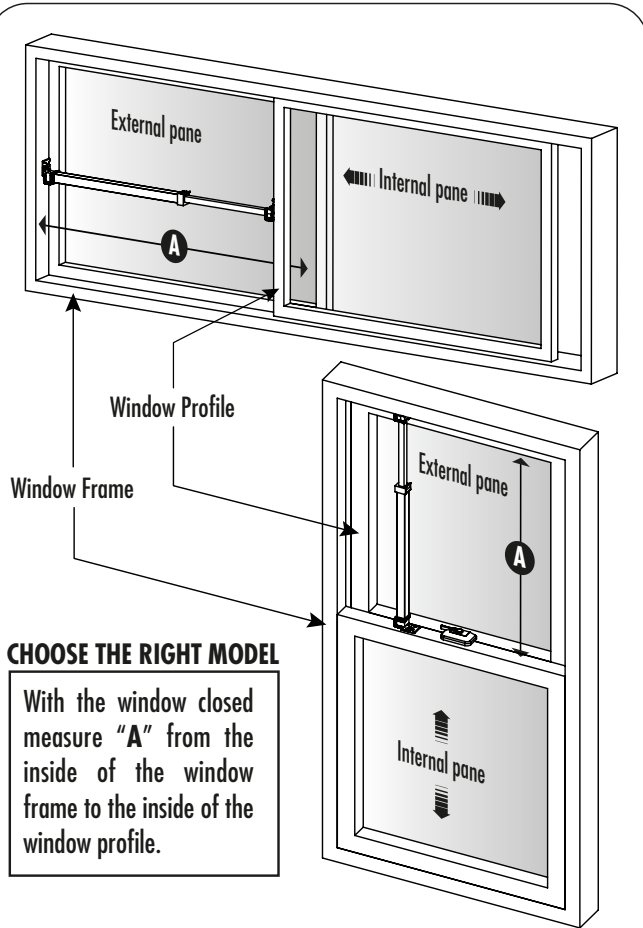


# SLIDING WINDOW SECURITY BAR

## BEFORE INSTALLING Know Your Window



### CHOOSE THE RIGHT MODEL

With the window closed measure "A" from the inside of the window frame to the inside of the window profile.

Min A	Max A	Window / Door	Model Number
10.6"	16.625"	Small windows	SK112
15.7"	26.75"	Medium windows & narrow doors	SK111
25.75"	47.5"	Standard sliding patio doors	SK110

**NOTE:**  
Will only be effective on windows with a locking or fixed exterior pane.

## PROFILE AND FRAME TYPES

There are many different types of window profiles and frames

Some of the most common types are illustrated below:

### FLAT PROFILE:

**MOUNT WITH:**

- Screws
- Tape

Requires 1" minimum width.

### SIDE GROOVED:

**MOUNT WITH:**

- Tape

3/4" Minimum flat surface area for tape.

### CENTER GROOVED:

**MOUNT WITH:**

- Tape

3/4" Minimum flat surface area for tape.

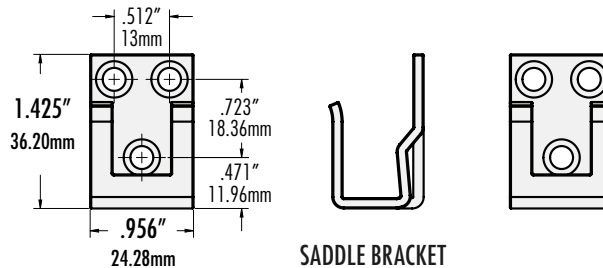
### ALL GROOVED:

**The saddle bracket cannot be used**

Lay the security bar directly in the track of a horizontal window if the track is at least 1" wide.

## COMPATIBILITY / REQUIREMENTS

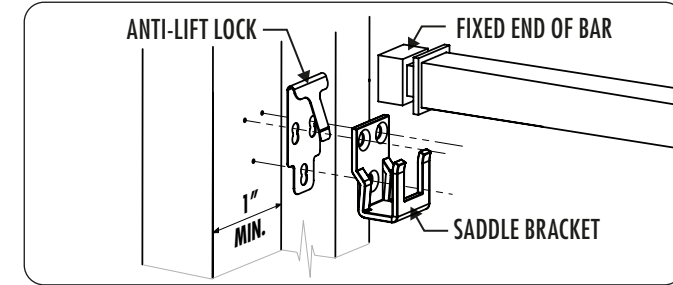
- If installing with the saddle brackets, you will need at least 1" of clear surface space on both the window frame and window profile.
- See the chart above to determine if your window frame and profile will support the saddle brackets with screws and/or tape.
- When determining the installation location on the window, ensure it will not interfere with any existing window hardware such as sash locks or window release buttons. Ensure you will have enough room to easily remove the bar for emergency exit.



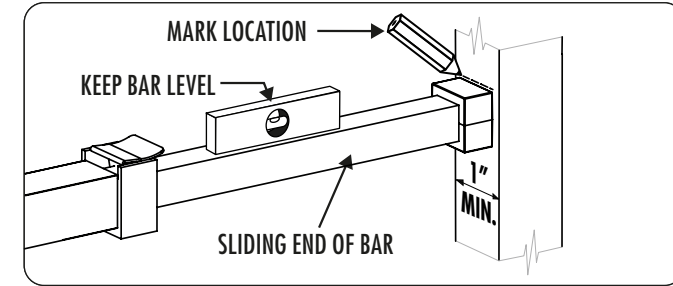
## INSTALLATION

### General installation steps

- 1 Determine where on the window you want to install the bar. Make sure it is clear of interference and will have enough space to be removed from the saddles.
- 2 Place one of the saddle brackets against the window frame at the desired location. Mark the 3 hole locations.

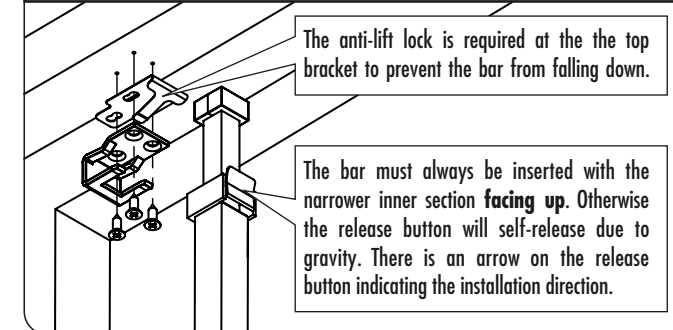


- 3 Install the saddle bracket (and optional anti-lift lock) following the instructions below for using double sided tape or screws.
- 4 Place the fixed end of the bar in the installed saddle, hold the bar in a level position (either flat horizontally or straight down vertically), and extend the sliding end and mark the location on the opposite window profile.



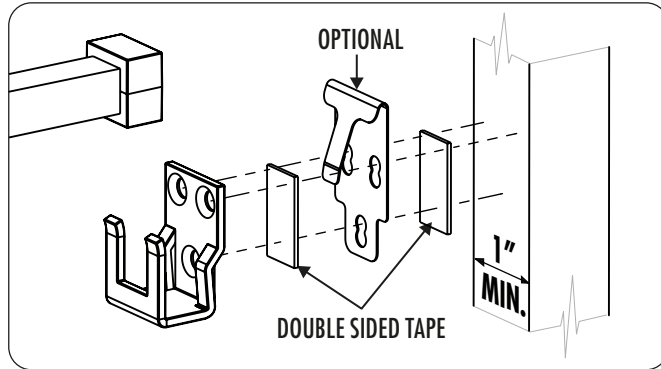
- 5 Install the second bracket (and optional anti-lift lock) following the instructions below for using double sided tape or screws.

### NOTE: If installing in a vertical slider (single hung) window.



## Installation with double sided tape

- 1 If using the optional anti-lift lock, first use the included double sided tape to attach the anti-lift lock to the window frame or profile.
- 2 Now tape the bracket either to the anti-lift lock, or directly to the window frame or profile. Repeat for the second bracket.



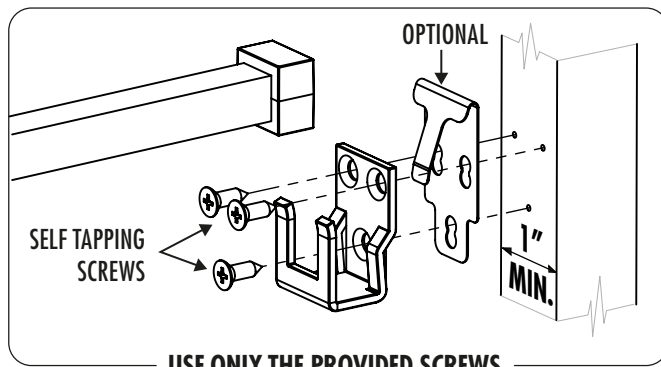
## Installation with screws

- 1 Hold the saddle bracket against the window frame or profile and mark the location of the screw holes.
- 2 Drill 1/8" diameter pilot holes to a maximum depth of 1/2".

### CAUTION:

BE SURE NOT TO MAKE CONTACT WITH THE WINDOW PANE WHEN DRILLING. THIS CAN CAUSE SIGNIFICANT DAMAGE. IDEAL SECURITY IS NOT LIABLE FOR DAMAGE.

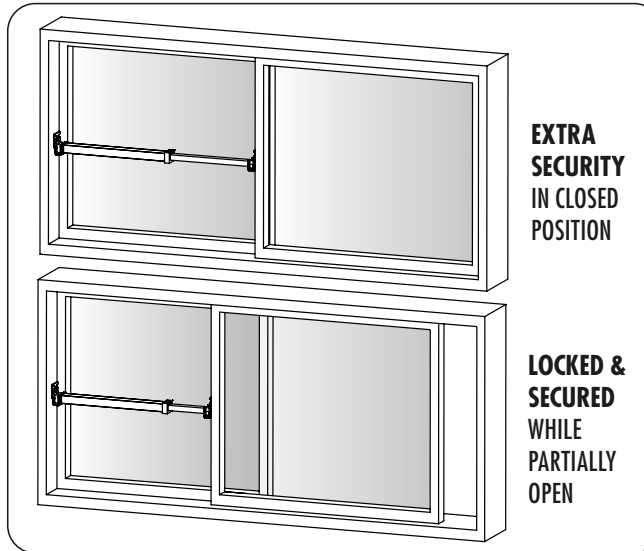
- 3 If using the optional anti-lift lock, place the anti-lift lock against the back of the bracket, lining up the screw-holes.
- 4 Line up the bracket (and optional anti-lift lock) against the window frame or profile, and insert the provided self tapping screws. Do not overtighten the screws, which could damage or strip the window frame or profile. Repeat for the second bracket.



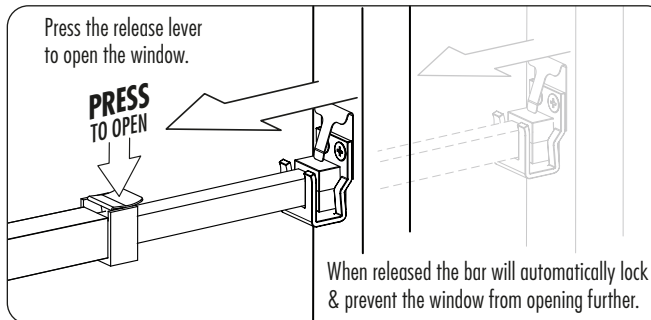
USE ONLY THE PROVIDED SCREWS

## OPERATION

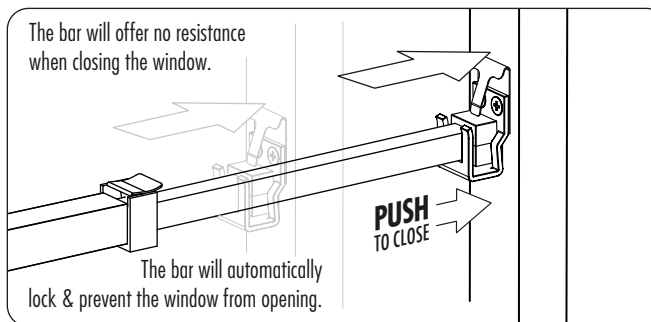
The SK111 and SK112 Window Security Bars extend and retract easily, allowing you to keep your window locked in any position.



The release lever allows the narrower inner bar to telescope into the larger outer bar. Hold down this lever to open your window while leaving the security bar in place.



The smaller bar will slide out of the larger bar with no resistance. You can close your window while leaving the bar in place without holding the release lever.



## DOUBLE YOUR WARRANTY

[idealinc.com/register](http://idealinc.com/register)



### Happy?

Great! If you are happy, so are we. Here are a few ways you can show your love:



**Post** a review to help others make the same good decision



**Share** a photo and tag us

**Connect** with us



[/idealSince1956](https://www.facebook.com/idealSince1956)



[/idealSince1956](https://www.pinterest.com/idealSince1956)



### Problems?

We are committed to keeping **you**, our customer, satisfied. Let us try and help you before you return your purchase.



[info@idealinc.com](mailto:info@idealinc.com)



<https://help.idealinc.com>



[/idealSecurityInc](https://www.youtube.com/idealSecurityInc)

**SK111 SK112**  
ONE YEAR WARRANTY  
MADE IN TAIWAN

**IDEAL SECURITY INC.**  
LASALLE, QC • PRESCOTT, ON  
[www.idealinc.com](http://www.idealinc.com)

SK1111901